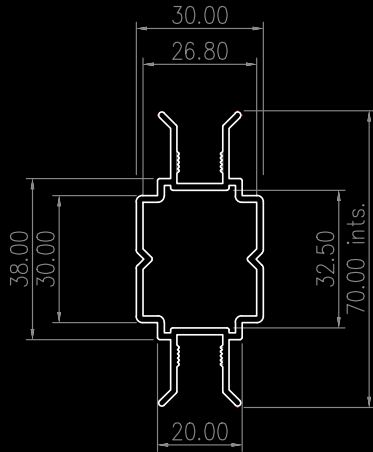
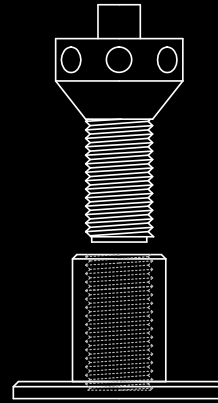
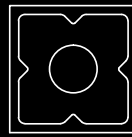


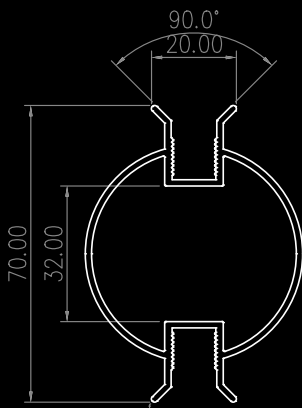
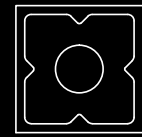
Suitable for Liniar



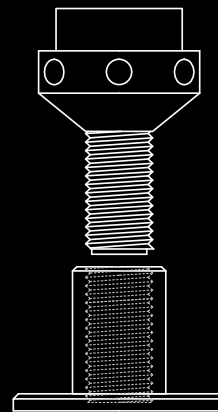
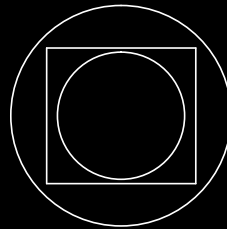
AEL BUTT $I_x = 3.15\text{cm}^4$
 $I_y = 11.81\text{cm}^4$



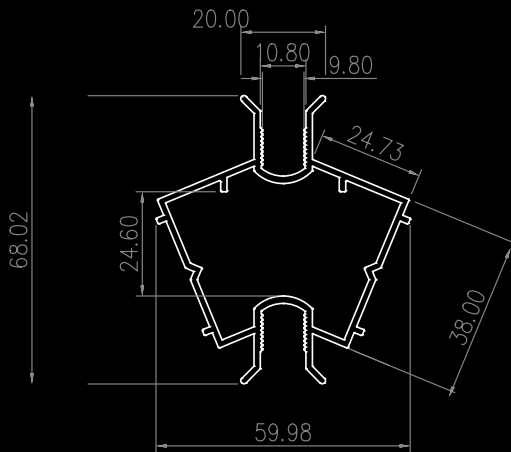
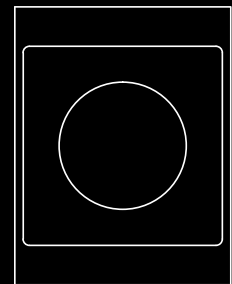
LINKJACK 1
(complete with relevant caps)



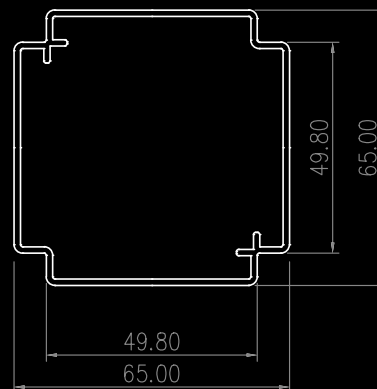
AEL POLE $I_x = 7.82\text{cm}^4$
 $I_y = 14.78\text{cm}^4$



LINKJACK 2



AEL 135 $I_x = 9.86\text{cm}^4$
 $I_y = 14.07\text{cm}^4$



AEL 6565 $I_x = 22.98\text{cm}^4$
 $I_y = 25.24\text{cm}^4$