



DID YOU KNOW:

Most system companies like **LINIAR** make more money on steel reinforcement sales than they do on PVC Profile?

Check OUR prices, huge savings on LIKE FOR LIKE sections, ALL NEW!

Buy one section or all of them, it's tough out there, it's time to CHALLENGE your system company.

Call Lee Marriott on
07763846697
or Beth Cooper on
0161 231 2354
for more information



ANGLO EUROPEAN

Call: **0161 231 2354** | www.angloeuropaean.net

The fabricator's friend

STEEL REINFORCEMENT SUITABLE FOR:

Liniar



Pas 24 tested
in bigger windows



Cut-to-size lengths
saves time & no waste



Rapid delivery
service

Why buy
STEEL from
a **plastic**
supplier?

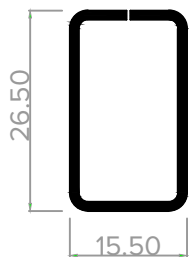
Call Lee Marriott on 07763846697 or Beth Cooper on 0161 231 2354
enquiries@angloeuropaean.net | angloeuropaean.net



The fabricator's friend

STEEL REINFORCEMENT SUITABLE FOR:

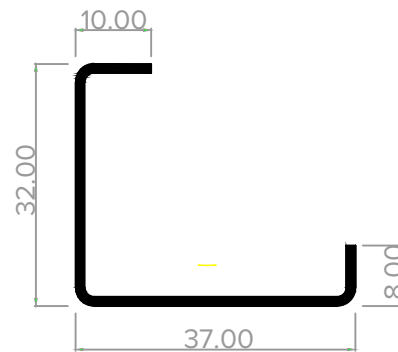
Liniar



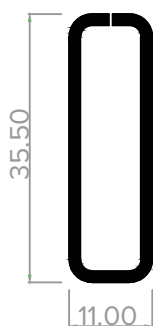
AE2615GS
COMP. DOOR



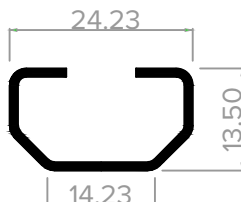
AE1018GS/3
OUTER FRAME



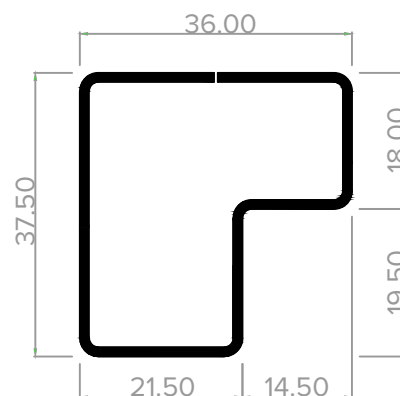
AE3732GS/3
TILT/TURN SASH



AE1135GS
T & Z TRANSOM MULLION



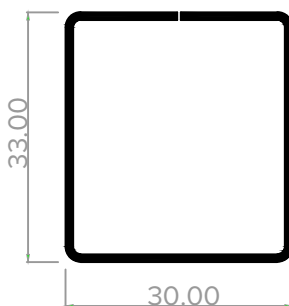
AE2513GS
CASEMENT SASH T & Z



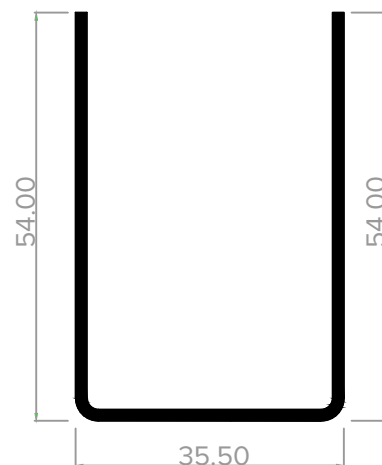
AE3635GS/57
LARGE MAIN FRAME



AE1540GS/HD
ENERGY PLUS MAINFRAME



AE3033GS
INT TRANSOM
T & Z



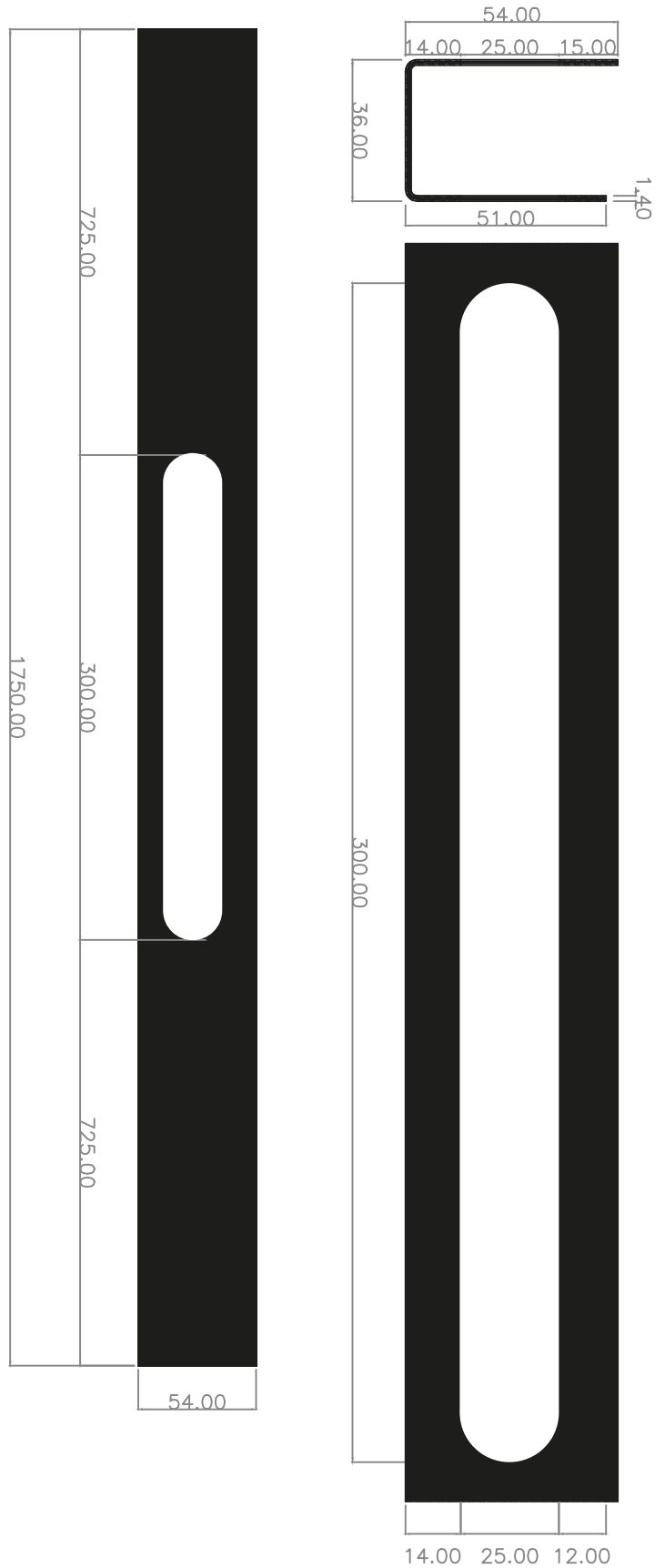
AE3454GS/54
DOOR SASH T & Z

STEEL REINFORCEMENT SUITABLE FOR:

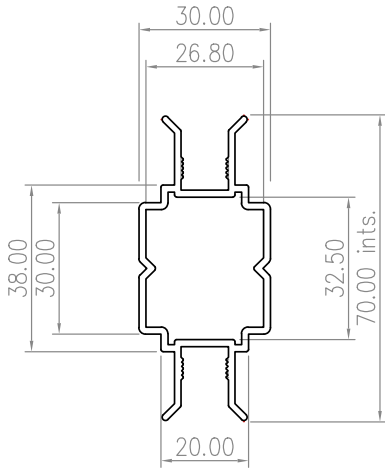
Liniar



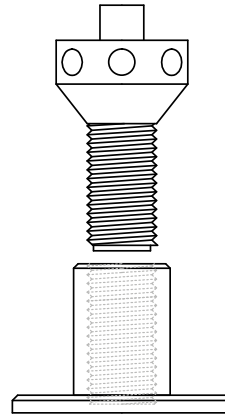
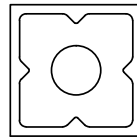
AE3654GS/HDLIN
(135 x 1.5 x 1750mm)



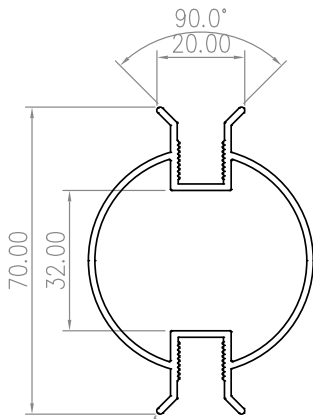
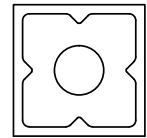
Suitable for Liniar



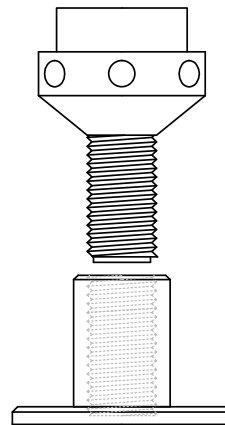
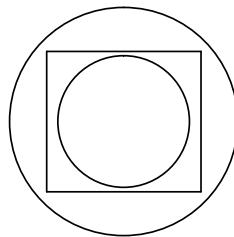
AEL BUTT $I_x = 3.15\text{cm}^4$
 $I_y = 11.81\text{cm}^4$



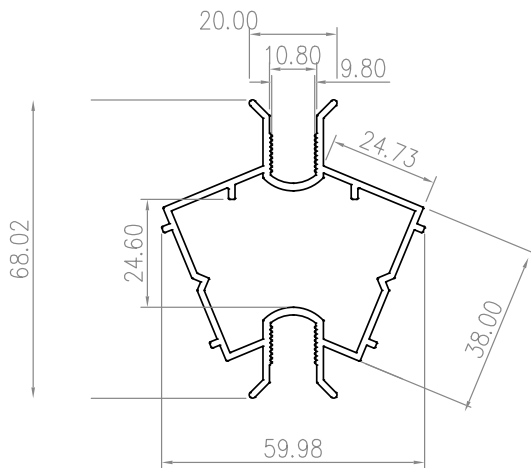
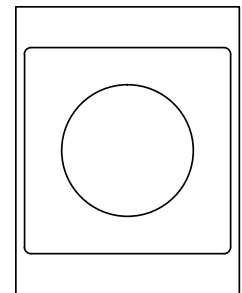
LINKJACK I
 (complete with relevant caps)



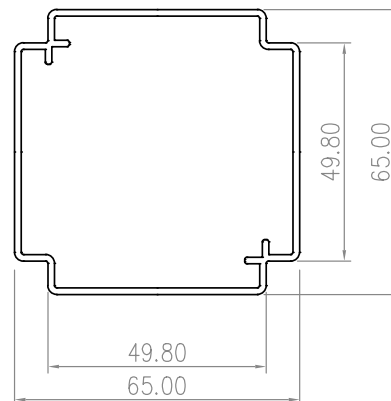
AEL POLE $I_x = 7.82\text{cm}^4$
 $I_y = 14.78\text{cm}^4$



LINKJACK 2



AEL I35 $I_x = 9.86\text{cm}^4$
 $I_y = 14.07\text{cm}^4$



AEL 6565 $I_x = 22.98\text{cm}^4$
 $I_y = 25.24\text{cm}^4$